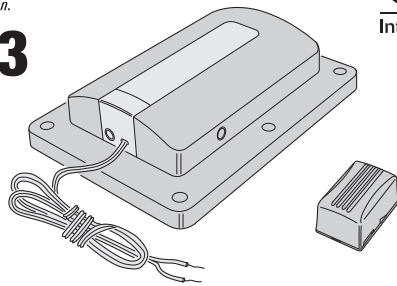


# Linear®

Building On Innovation.

## GD00Z-3



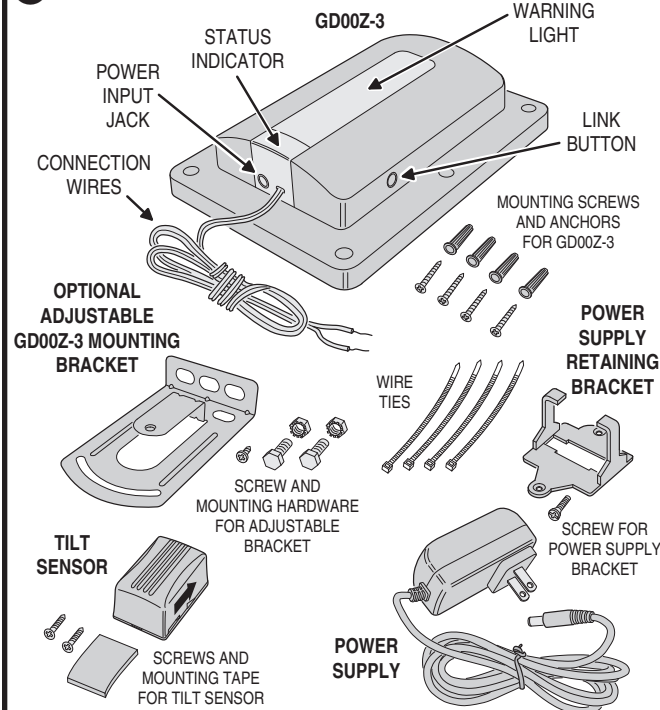
### GARAGE DOOR OPENER REMOTE COMMAND TRANSCIVER with TILT SENSOR

#### Installation Instructions



Nexia Customer Service:  
 (877) 288-7707 (USA & Canada)

### 3 PRODUCT COMPONENTS



### 1 PRODUCT DESCRIPTION

#### GD00Z-3 Overview

- A garage door opener remote command transceiver with built-in Z-Wave technology.
- Allows remote operation of a garage door opener using the Nexia Home Intelligence web portal or mobile app.
- Acts as a Z-Wave repeater to improve communications within the Z-Wave mesh network.

#### GD00Z-3 Summary of Operation

- GD00Z-3 connects to the garage door opener's pushbutton wall console terminals.
- A wireless tilt sensor mounts on the garage door and reports the door's position to the GD00Z-3.
- GD00Z-3 responds to Z-Wave commands from Nexia to open or close the garage door.
- A warning indicator light flashes and a beeper sounds for 5 seconds before the door begins to move.
- If the door does not completely open or close, a second open or close command can be sent after 30 seconds.
- If the door does not completely open or close after the second attempt, the GD00Z-3 operation is suspended until a local garage door pushbutton is activated.

#### Z-Wave Information

- Z-Wave® is a registered trademark of Sigma Designs Inc. and/or its subsidiaries.
- Z-Wave is an Interoperable two-way RF mesh networking technology designed for use with a Z-Wave gateway/controller and other Z-Wave enabled devices.
- Replication is the process of copying or transferring your Z-Wave network from one controller to another.
- This is a Security enabled Z-Wave product and must be used with a Security enabled Z-Wave controller in order to fully utilize this product. As such, this device will not respond to Basic CC commands.
- ASSOCIATION: The GD00Z-3 supports 1 Group with 1 Node. Group 1 must be assigned the Node ID of the controller to which unsolicited notifications from the GD00Z-3 will be sent. The Nexia Bridge should set this association automatically after inclusion.

### 2 SAFETY NOTES

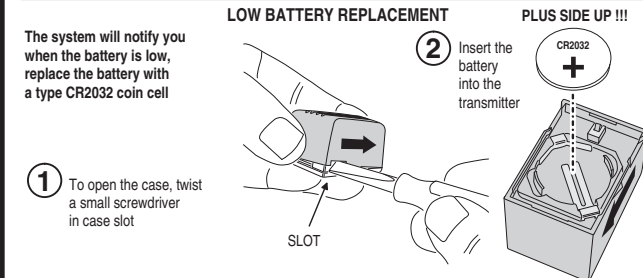
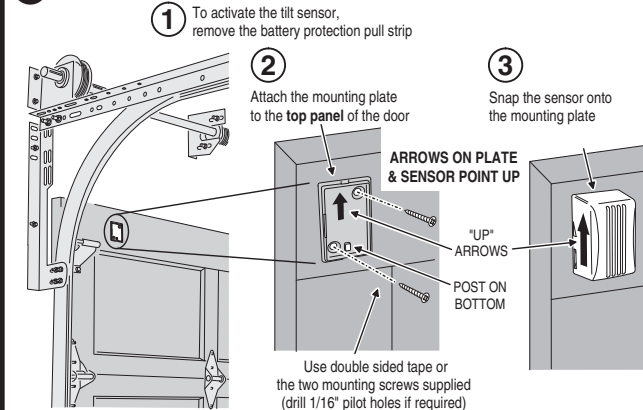
**⚠ WARNING ⚠**  
 This operator system is equipped with an unattended operation feature. This door could move unexpectedly. **NO ONE SHOULD CROSS THE PATH OF A MOVING DOOR!**

**⚠ WARNING ⚠**  
 This system can be installed on sectional type (roll up) doors only per (UL-325). **DO NOT INSTALL ON ONE-PIECE DOORS!**

**⚠ WARNING ⚠**  
 The Remote Command Transceiver must be mounted in the garage, in sight of the garage door, where the visual and audible movement warning indicators can be clearly seen and heard.

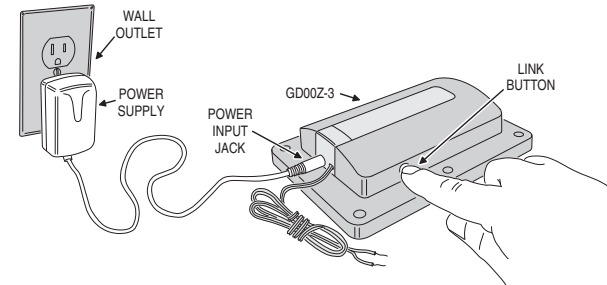
**⚠ WARNING ⚠**  
 Do not install the Remote Command Transceiver on garage door operators manufactured prior to 1993 (models without an operational safety beam entrapment detection system).

### 4 TILT SENSOR INSTALLATION AND BATTERY



### 5 INCLUDING (ADD) WITH THE SYSTEM

Note: Plug in the GD00Z-3 near your Nexia bridge or controller for these steps



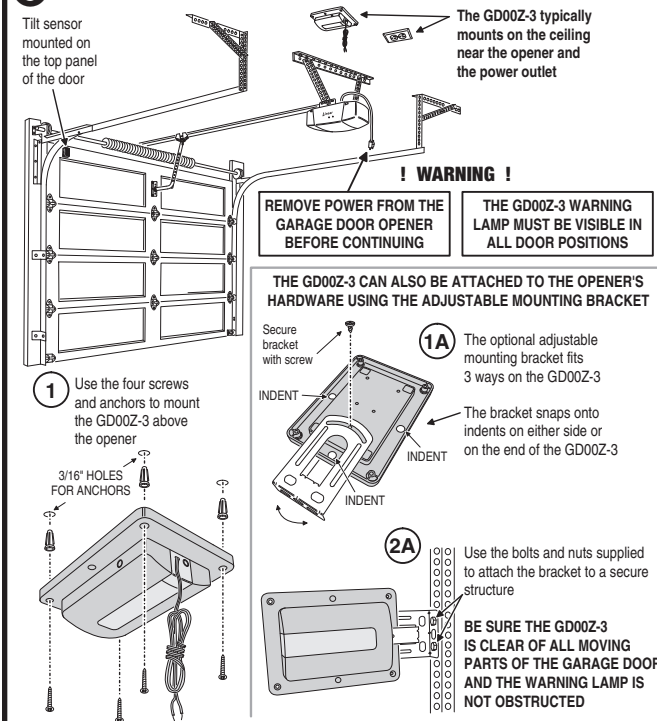
#### TO INCLUDE THE GD00Z-3 INTO NEXIA

- 1 Login to your account at: [www.mynexia.com](http://www.mynexia.com)
- 2 In Nexia, click "Security & Sensors". Click Add Device. Click Security. Click Enroll for the Garage Door Control.
- 3 When instructed, tap and release the Link button on the GD00Z-3

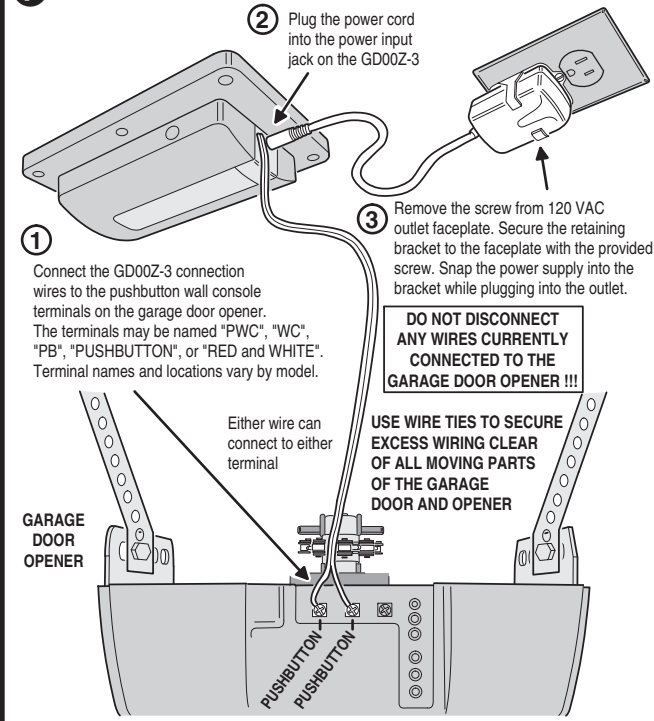
#### TO EXCLUDE THE GD00Z-3 FROM NEXIA

- (Only do this to remove the garage door control from your network)
- 1 Start the exclusion process on your controller:
    - Nexia bridge: Press (-) button
    - Thermostat with bridge: press menu, Nexia, exclude device
  - 2 Press the link button on the GD00Z-3

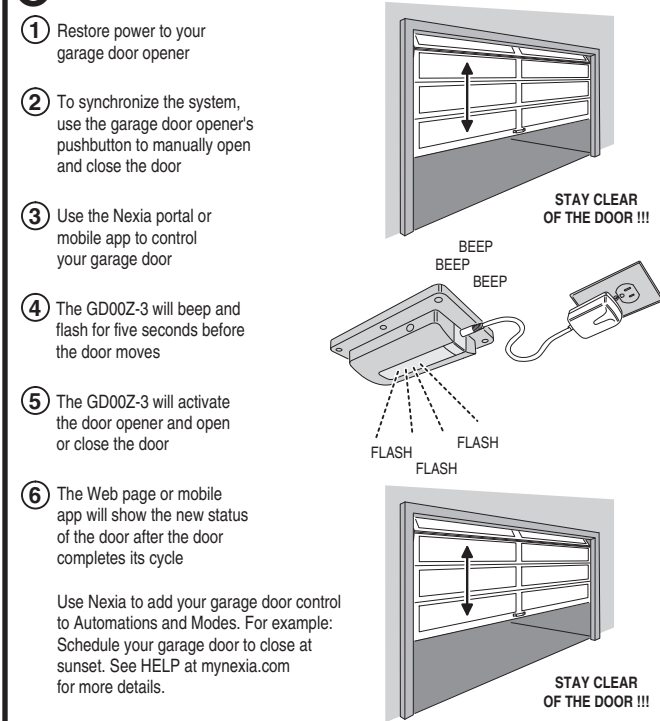
## 6 GD00Z-3 MOUNTING



## 7 GD00Z-3 CONNECTIONS



## 8 SYSTEM OPERATION



## 9 OPERATION NOTES

1. The warning light will flash and the warning beeper will sound for five seconds before the door opener is activated. **STAY CLEAR OF THE DOOR, AND DOOR OPENER. THEY ARE ABOUT TO MOVE!**
2. If the door does not completely open or close after remote activation, the GD00Z-3 will allow user to try to operate the door one more time. If the second attempt fails, the GD00Z-3 will go into lock-out mode. See Note #3.
3. If the GD00Z-3 is in lock-out mode and will not accept remote commands, activate the door from the pushbutton wall console.
4. Once the GD00Z-3 has initiated the movement of the garage door, another command cannot be sent for 30 seconds. This eliminates the chance of "bouncing" the garage door and possibly damaging the garage door opener.

### GD00Z-3 Specifications

**Power Supply:** Input: 120 VAC, 0.8 A  
 Output: 12 VDC, 2 A

**Operating Temperature:** -4°—122° F (-20°—50° C)

**Audible Alarm:** 45 db @ 10 feet

**Stroke:** 360 Lumens

**Communications:** Z-Wave (908.4 MHz)

**Mounting:** Screws and anchors to the ceiling, or bracket to the opener's hanging hardware

### Tilt Sensor Specifications

**Power Supply:** Type CR2032 Coin Cell Battery

**Operating Temperature:** -4°—122° F (-20°—50° C)

**Battery Life:** 24 Months (typical)

**Communications:** Proprietary 345 MHz

**Range:** 100' line-of-sight to GD00Z-3

**Mounting to Garage Door:** Double-sided tape or two mounting screws

(Specifications subject to change without notice)

**NOTICE TO USERS IN CALIFORNIA - CR COIN CELL LITHIUM BATTERY INFORMATION: THIS PRODUCT CONTAINS A CR COIN CELL LITHIUM BATTERY WHICH CONTAINS PERCHLORATE MATERIAL - SPECIAL HANDLING MAY APPLY - SEE www.dtsc.ca.gov/hazardouswaste/perchlorate**

**KEEP AWAY FROM SMALL CHILDREN. IF BATTERY IS SWALLOWED, PROMPTLY SEE A DOCTOR. DO NOT TRY TO RECHARGE THIS BATTERY. DISPOSAL OF USED BATTERIES MUST BE MADE IN ACCORDANCE WITH THE WASTE RECOVERY AND RECYCLING REGULATIONS IN YOUR AREA.**

## 10 TROUBLESHOOTING

PROBLEM	POSSIBLE CAUSE	CORRECTIVE ACTION
Unable to include in Z-Wave network.	GD00Z-3 was not properly excluded from a previous Z-Wave network.	1. Reset the GD00Z-3 by pressing the LINK button 5 times. A quick beep followed by a longer beep will indicate the reset.
The GD00Z-3 does not flash or beep when activated.	No power to the GD00Z-3.	1. Make sure the power supply is plugged in securely to a live outlet. 2. Make sure the power cord is plugged in securely to the GD00Z-3.
The GD00Z-3 flashes and beeps when activated but the door does not move.	Obstruction blocking the door or incorrect wiring.	1. Make sure that there are no obstacles preventing the door from moving. 2. Make sure that the GD00Z-3 connection wires are connected to the proper terminals on the garage door opener. Trace the wires from the garage door opener's pushbutton wall console to the door opener. This is where the GD00Z-3 connection wires should be connected to.
Garage door opens or closes, but the status does not change on the Web site or mobile app.	The tilt sensor signal is not being received by the GD00Z-3.	1. Make sure the tilt sensor is mounted correctly on the garage door, with the arrow pointing up. 2. Make sure the battery pull tab has been removed from the tilt sensor. 3. Replace the battery in the tilt sensor.

## LIMITED RETAIL WARRANTY

Linear LLC (the Company) warrants to the original purchaser that products delivered hereunder will be free of defects in materials and workmanship for a period of one (1) year from the date of purchase.

The Company within said period shall at its option, either repair or replace free of charge, any product or part thereof found, upon the Company's inspection, to be so defective, and will return the repaired or replaced product to the purchaser at Company's expense.

The GD00Z-3 is sold exclusively through Nexia Home Intelligence. For warranty service, contact Nexia Customer Service at 877-288-7707.

This warranty is conditioned on the following:

1. The Company must be notified within one year of purchase and have been given the opportunity of inspection by return of any alleged defective product free and clear of all liens and encumbrances to the Company or its distributor; and
2. The product must not have been abused, misused or improperly maintained and/or repaired during such period; and
3. Such defect has not been caused by corrosion or exposure to other than ordinary wear and tear.

THE COMPANY MAKES NO OTHER WARRANTY OR REPRESENTATION OF ANY KIND WHATSOEVER INCLUDING ANY WARRANTY OF MERCHANTABILITY OR FITNESS FOR A PARTICULAR PURPOSE ARE HEREBY DISCLAIMED.

The Company's maximum liability hereunder is limited to the purchased price of the product. In no event shall the Company be liable for any consequential, indirect, incidental, or special damages of any nature arising from the sale or use of the product, whether based in contract, tort, strict liability or otherwise.

Note: Some states do not allow limitations on incidental or consequential damages or how long an implied warranty lasts, so that the above limitations may not fully apply. This warranty gives specific legal rights and you may also have other rights which may vary from state to state.

This device complies with FCC Part 15 and Canada Rules and Regulations. Operation is subject to the following two conditions: (1) This device may not cause harmful interference and (2) this device must accept any interference received, including interference that may cause undesired operation.

Le présent appareil est conforme aux CNR d'Industrie Canada applicables aux appareils radio exempts de licence. L'exploitation est autorisée aux deux conditions suivantes : (1) l'appareil ne doit pas produire de brouillage, et (2) l'utilisateur de l'appareil doit accepter tout brouillage radioélectrique subi, même si le brouillage est susceptible d'en compromettre le fonctionnement.

Changes or modifications not expressly approved by the manufacturer could void the user's authority to operate the equipment.

Les changements ou modifications non approuvés expressément par la partie responsable de la conformité pourrait annuler l'autorité de l'utilisateur à faire fonctionner l'équipement.

Copyright © 2014 Linear LLC

236386 X10